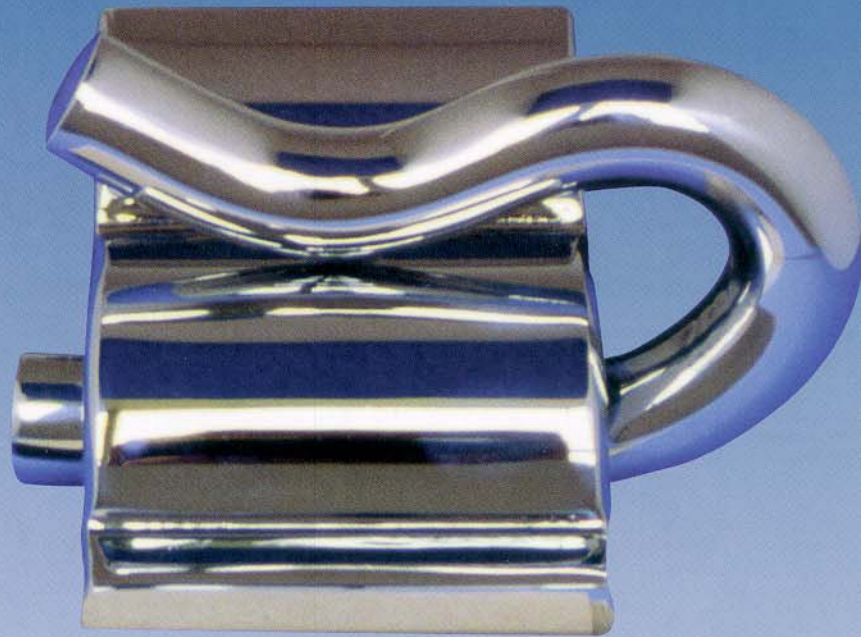


JOINT BAR FASTENERS



Pandrol offers a variety of clips specifically designed for use at track joints, where joint bars interfere with standard Pandrol clips.

The modified "e" clip will accommodate joint bars where sufficient rail foot area is exposed. (See drawing on back). The modified "e" clip installs easily and provides a high clamping force.

Working deflection compensates for normal manufacturing tolerances and component wear.

The "J" clip is manufactured in several variations to accommodate most currently available joint bars.

The Pandrol "C" clip is a specially designed unit of 20 mm spring steel that can be used at most standard or insulated rail joints on wood or concrete ties. The low profile assembly, consisting of a "C" clip and pressed steel toe plate, provides vertical rail restraint and stabilizes track joints.

The "C" clip is easily installed and is designed for right or left hand installations to avoid interference with track bolts. The "C" clip assembly can be designed for most rail sizes and is readily available in the commonly used rail sizes.



ISO 9001: 2000 Certified

SPECIFICATIONS:

"C" Clip

- Designed for use with standard and insulated joints
- Made from high quality spring steel alloy
- Bar diameter: 20 mm
- Approximate shipping weight: 1.5 lbs.
- Normally packed 50 per bag

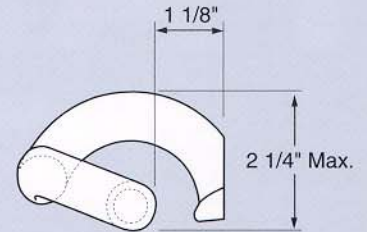
"C" Plate

- Made from 7/16" mild steel
- Approximate shipping weight: 1.6 lbs.
- Normally packed 50 per bag
- Designed to fit on the toe of the joint bar

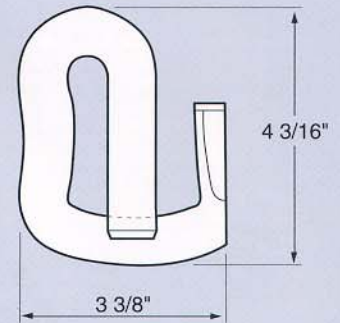
SPECIFICATIONS:

"e" 2063

- Made from high quality spring steel bar stock
- Bar diameter: 20 mm ("e" 2000 series)
- Approximate shipping weight: 1.6 lbs.
- Normally packed 50 per bag



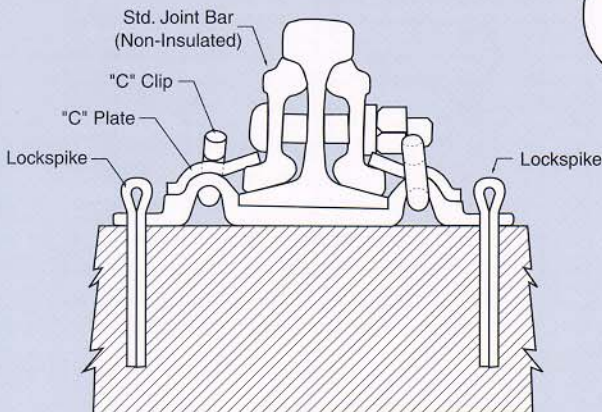
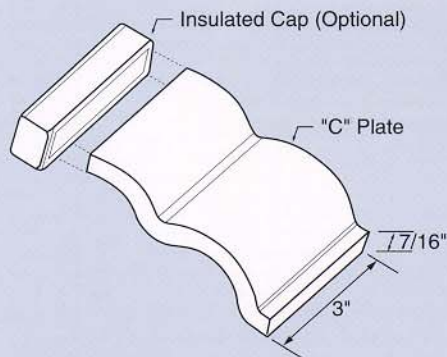
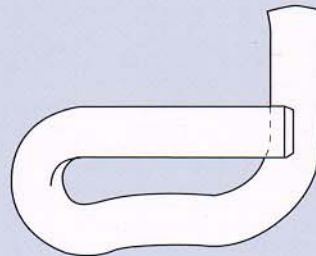
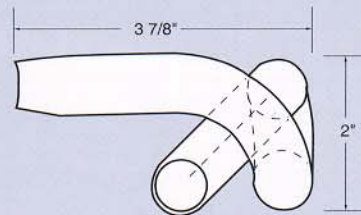
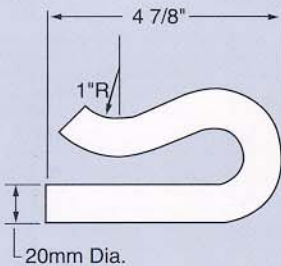
The "e" clip design utilizes the toe to bear on the rail foot.



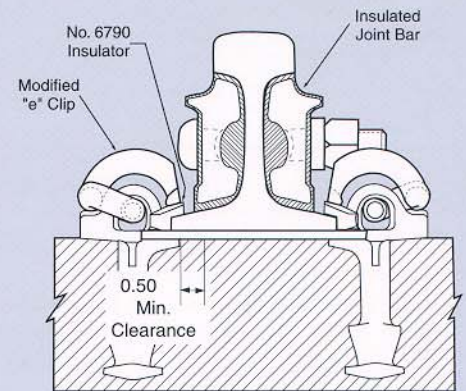
SPECIFICATIONS:

"J" clip

- Made from high quality spring steel bar stock
- Bar diameter: 20 mm
- Approximate shipping weight: 1.7 lbs.
- Normally packed 50 per bag



WOOD TIE



CONCRETE TIE

Specify rail size when ordering

Pandrol's "C" clip is protected by U.S. and foreign patents.

In the interests of product improvement, Pandrol USA, LP reserves the right to change the specifications contained herein at any time without prior notice.



Pandrol USA, LP
 501 Sharptown Road
 P.O. Box 367
 Bridgeport, NJ 08014
 (856) 467-3227
 (800) 221-CLIP
 FAX (856) 467-2994
www.pandrolusa.com

ISO 9001: 2000 Certified