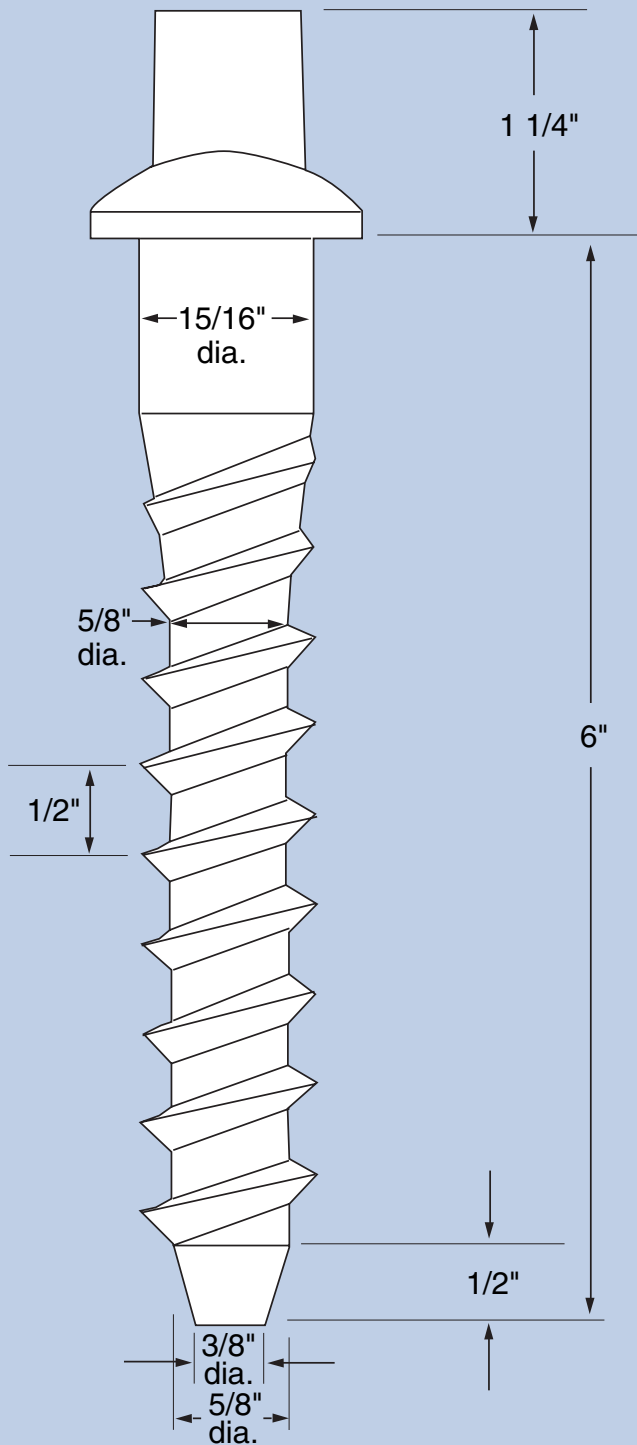


SCREW SPIKE

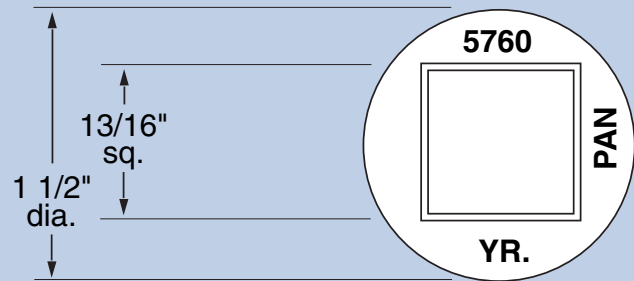


Pandrol manufactures hot forged steel screw spikes specially designed to be used with the Pandrol tie plate. These screw spikes are 15/16 inches in diameter and are made to ASTM A-66 specifications. The screw spikes are coated to resist corrosion. While these screw spikes are designed to fit Pandrol tie plates, they can also be used with AREMA tie plates.



SPECIFICATIONS:

- Hot forged
- Standard 65,000 psi
- Meets ASTM A-66 specifications
- Coated to resist corrosion
- Approximate shipping weight 1.3 pound
- Packed 200 to a keg



Designed for use with 13/16" socket.
 Hardwood - Prebore 3/4" diameter x 6" deep
 Azobe - Prebore 13/16" diameter x 6" deep



Pandrol USA, LP
 501 Sharptown Road
 P.O. Box 367
 Bridgeport, NJ 08014
 (856) 467-3227
 (800) 221-CLIP
 FAX (856) 467-2994
www.pandrolusa.com

ISO 9001: 2000 Certified

In the interests of product improvement, Pandrol USA, LP reserves the right to change the specifications contained herein at any time without prior notice.