

# SELF-ALIGNING SHOULDER



The Pandrol Self-Aligning Shoulder is designed to be used in turnouts. When installed it automatically aligns with the frog, wing rails and closure rails so the tie plate remains parallel to the tie. It allows a sufficient degree of angle to meet virtually all applications. It can be retrofitted in the field and requires no welding.

 **PANDROL**

TRACK SYSTEMS

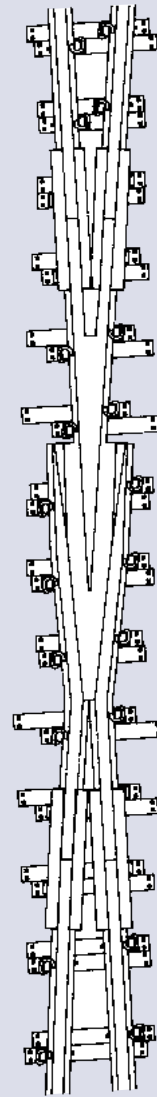
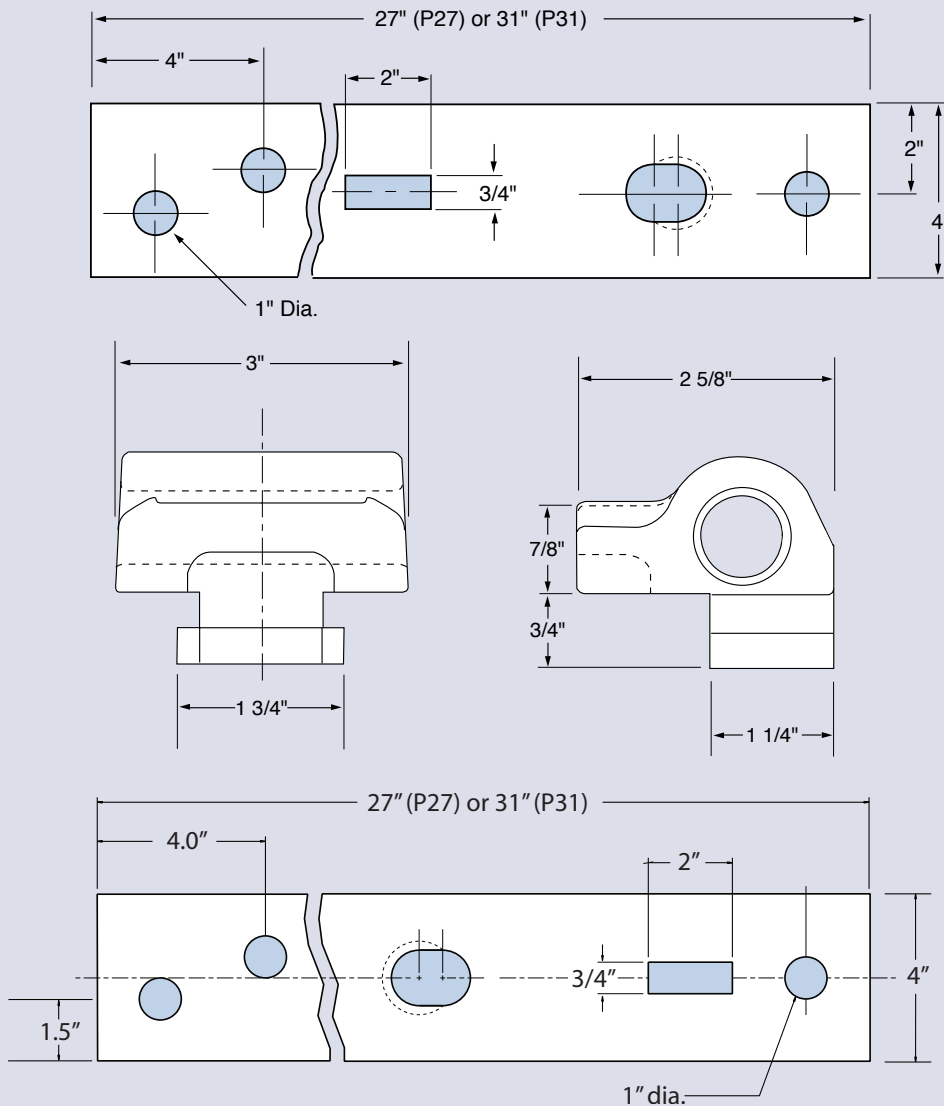
© DELACHAUX GROUP

## SPECIFICATIONS:

- Allows full Pandrol clip toe load.
- Provides lateral, longitudinal and vertical restraint to the frog and rails.
- Conforms to AREMA material specifications.
- Available in 3/4" and 7/8" thick tie plates.
- Available in 23", 27", 31" and 35" lengths.

## USAGE:

- Compatible with virtually all frogs, including most cast frogs.
- Interchangeable with hook twin plates.
- Can be used on closure rails from heel of switch to first full tie plate on all graduated riser designs. Can also be used on guard rail curves



Typical  
#8 Frog



© DELACHAUX GROUP

Pandrol USA, LP  
501 Sharptown Road  
P.O. Box 367  
Bridgeport, NJ 08014  
(856) 467-3227  
(800) 221-CLIP

[www.pandrolusa.com](http://www.pandrolusa.com)



© DELACHAUX GROUP

Pandrol Canada Limited  
6910 34th Street  
Edmonton, Alberta T6B 2X2, Canada

(780) 413-4281

[www.pandrolcanada.ca](http://www.pandrolcanada.ca)

Pandrol's self-aligning shoulder is protected by U.S. and foreign patents.

*In the interests of product improvement, Pandrol reserves the right to change the specifications contained herein at any time without prior notice.*