

# TIE PLATE



Pandrol tie plates are designed to be used for 5 1/2", 6" or 100 RB base rail with Pandrol rail clips and Pandrol screw spikes.

 **PANDROL**

TRACK SYSTEMS

© DELACHAUX GROUP

**SPECIFICATIONS:**

- Rolled to AREMA material specifications.
- Palletizing available at 100 plates per pallet
- Can be shipped loose in gondola or dump truck

TPL-P2-6" - approximate weight as punched 25.2 lbs.

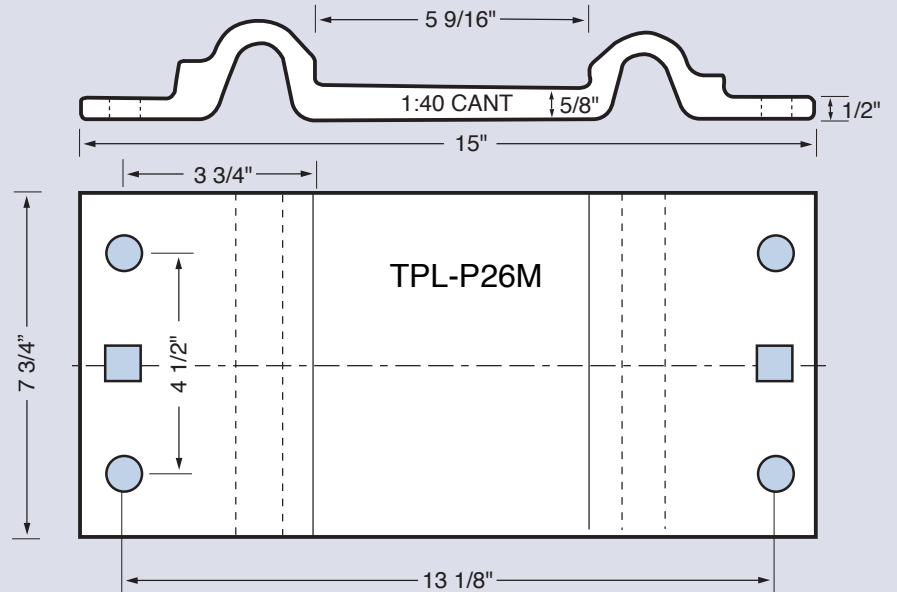
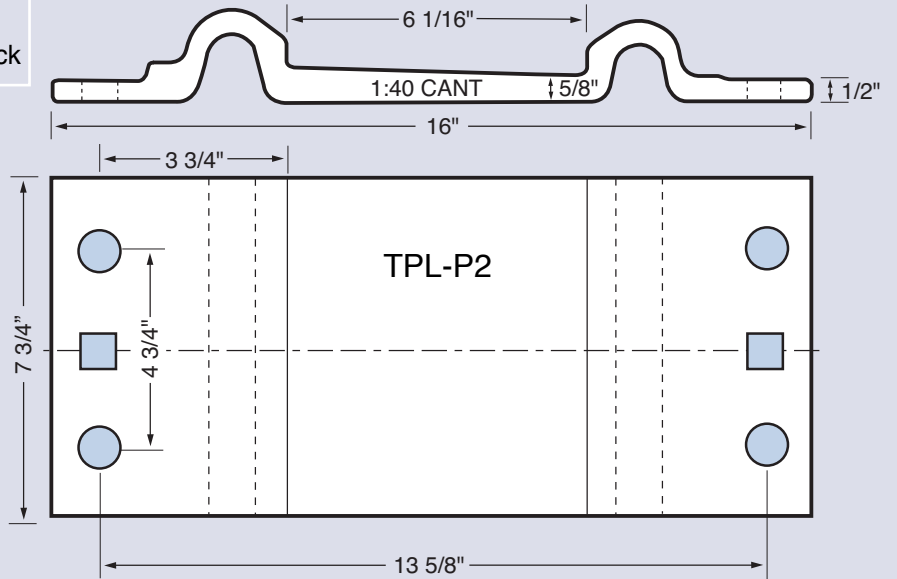
**CONVENTIONAL PUNCHING**

6" Rail Base	
Part Number	
TPL-P1-6"	7 3/4" x 16" w/6, 11/16" square holes
TPL-P2-6"	7 3/4" x 16" w/4, 1" round holes and 2, 11/16" square holes
5 1/2" Rail Base	
TPL-P26M-5.5"	7 3/4" x 15" w/4, 1" round holes and 2, 11/16" square holes
100 RB (100-8) Rail	
TPL-P54RB	7" x 15 3/16" w/6 1 1/16" round holes

Other sizes and hole punching may be available.

TPL-P26M-5.5" - approximate weight as punched 23.4 lbs.

NOTE: Standard punching shown. Square holes are 11/16". Round hole punching available up to 1 5/32" maximum. 1" most common.



© DELACHAUX GROUP

Pandrol USA, LP  
501 Sharptown Road  
P.O. Box 367  
Bridgeport, NJ 08014  
(856) 467-3227  
(800) 221-CLIP

[www.pandrolusa.com](http://www.pandrolusa.com)



© DELACHAUX GROUP

Pandrol Canada Limited  
6910 34th Street  
Edmonton, Alberta T6B 2X2, Canada

(780) 413-4281

[www.pandrolcanada.ca](http://www.pandrolcanada.ca)