

# 'PR' CLIP



The PANDROL 'PR' fastening is the original PANDROL rail clip. Millions of these clips are in service in North America and around the world. This proven geometric design offers a strong, resilient rail fastening that provides a clamping force of 2,000 pounds, excellent resistance to rail rollover and longitudinal restraint.

PANDROL 'PR' fastenings are used on wood and concrete ties and for slab track applications. The 'PR' clip is driven parallel to the rail and is easily installed mechanically or manually.

**PANDROL**

TRACK SYSTEMS

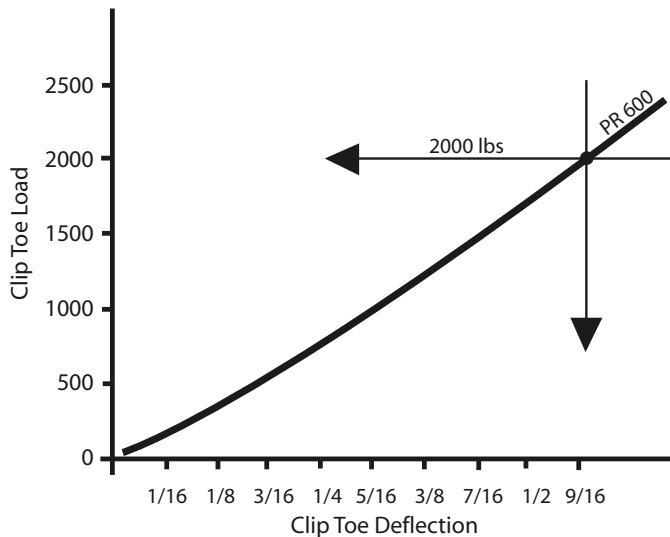
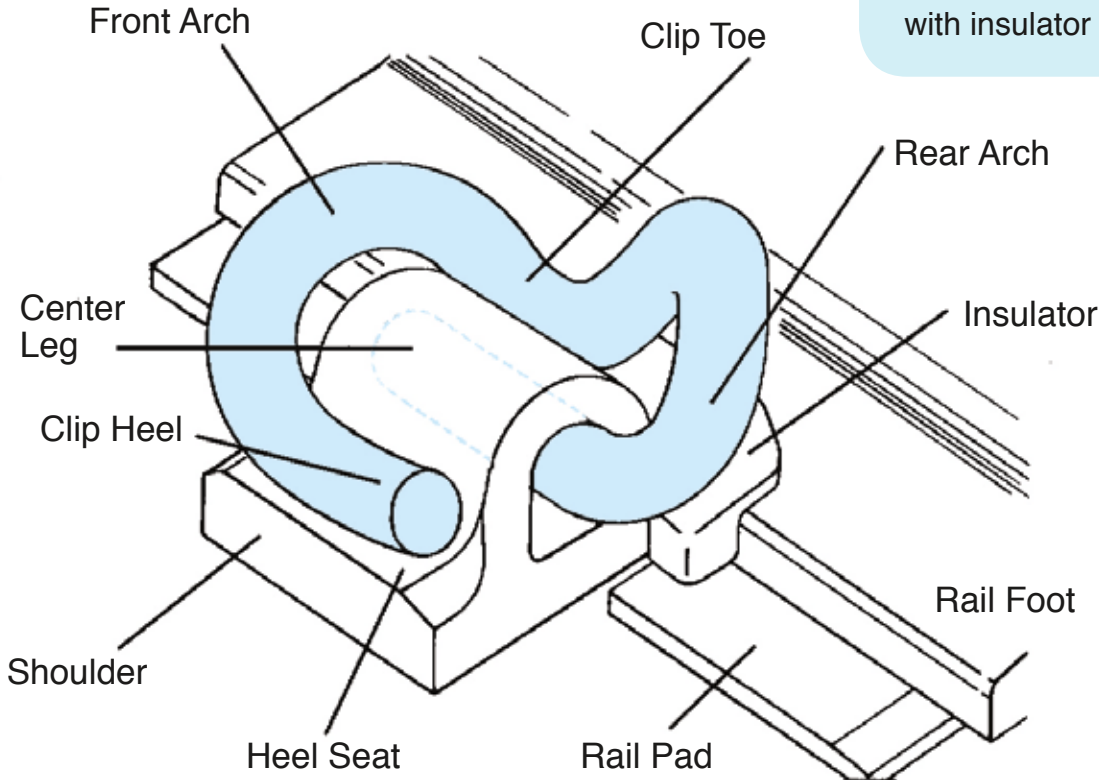
© DELACHAUX GROUP

# 'PR' CLIP

## SPECIFICATIONS:

- Made from high quality spring steel bar stock
- Bar Diameter: 7/8"
- Approximate Shipping Weight: 2.75 lbs.
- Normally packed 15 per bag

Clip	'PR' 601A
Bar Diameter	7/8"
Nominal Toe Load	2,000 lbs.
Working Deflection	.56"
Nominal Rail Seat Clamping Force	4,000 lbs.
Surface area in contact with insulator or rail	.67 sq. in.



© DELACHAUX GROUP



Learn More >

Pandrol USA, LP  
 501 Sharptown Road  
 P.O. Box 367  
 Bridgeport, NJ 08014  
 (856) 467-3227  
 (800) 221-CLIP

[www.pandrolusa.com](http://www.pandrolusa.com)

