

SCREW SPIKE



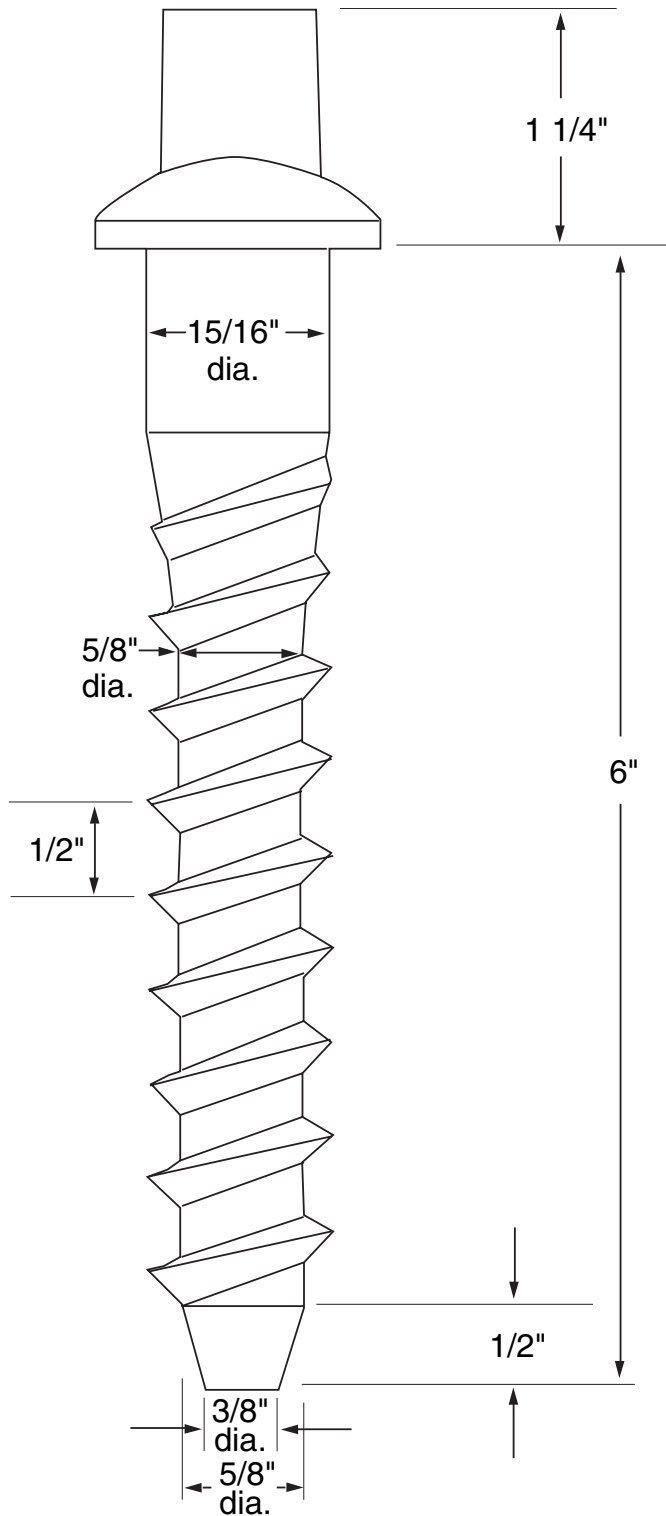
Pandrol provides hot forged steel screw spikes specially designed to be used with the Pandrol tie plate. These screw spikes are 15/16 inches in diameter and are made to ASTM A-66 specifications. The screw spikes are coated to resist corrosion. While these screw spikes are designed to fit Pandrol tie plates, they can also be used with AREMA tie plates.

 **PANDROL**

TRACK SYSTEMS

© DELACHAUX GROUP

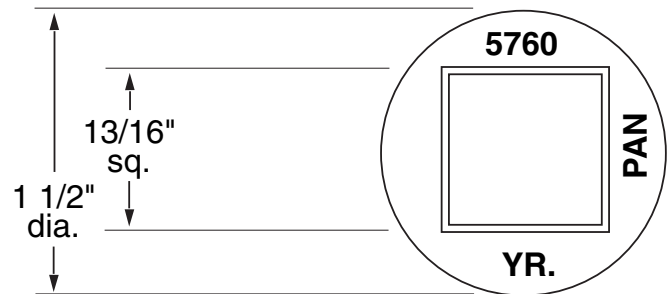
SCREW SPIKE



* Domestic Screw Spike: tip is 5/8" dia.

SPECIFICATIONS:

- Hot forged
- Standard 65,000 psi
- Meets ASTM A-66 specifications
- Coated to resist corrosion
- Approximate Shipping Weight: 1.1 lbs.
- Packed 200 per drum (*foreign*)
- Packed 50 per bag (*domestic*)



Designed for use with 13/16" socket.
 Hardwood - Prebore 3/4" diameter x 6" deep
 Azobe - Prebore 13/16" diameter x 6" deep

PART NO:

Domestic	SCR-5760DOM
Foreign	SCR-5760



Learn More >

Pandrol USA, LP
 501 Sharptown Road
 P.O. Box 367
 Bridgeport, NJ 08014
 (856) 467-3227
 (800) 221-CLIP

www.pandrolusa.com

